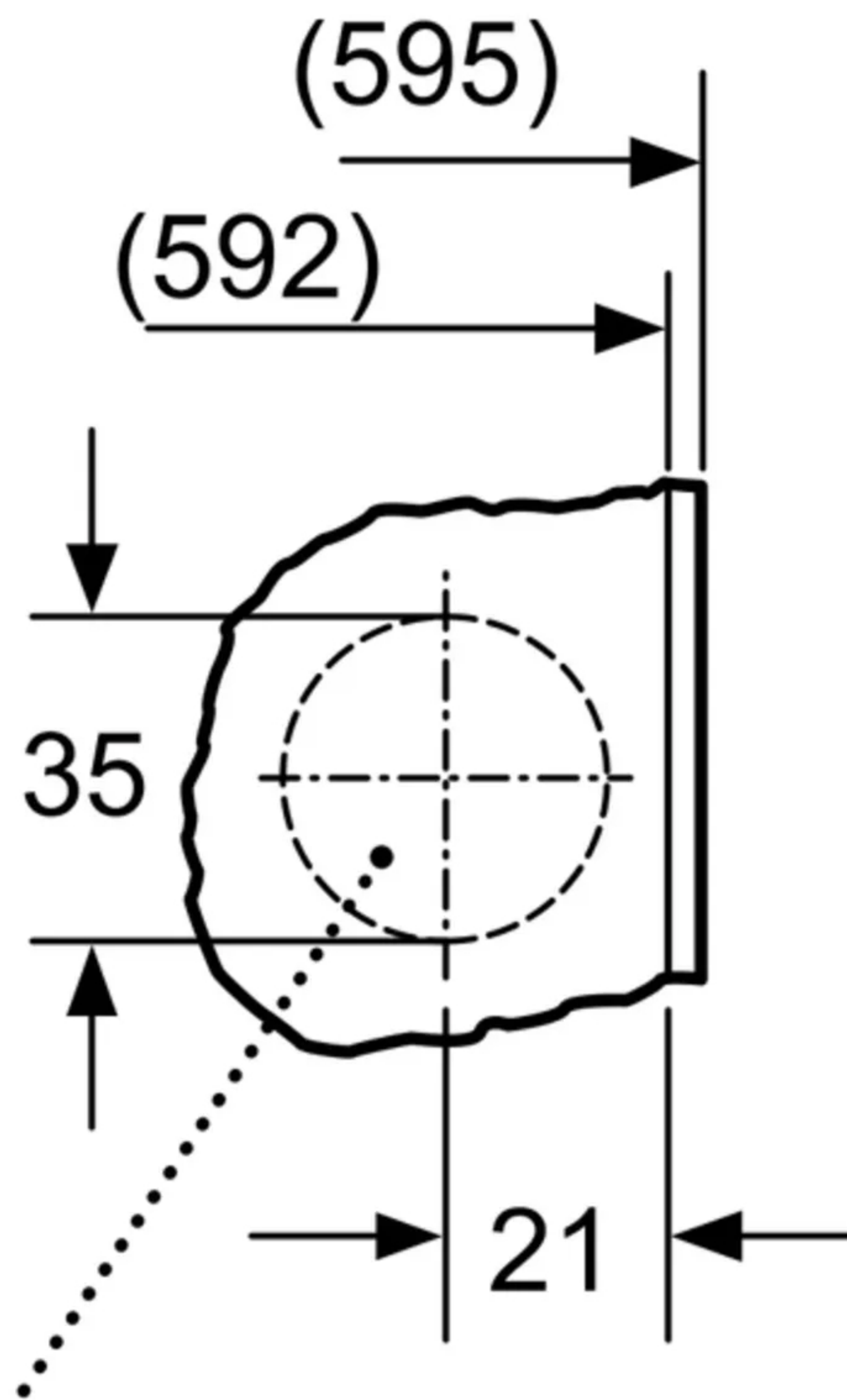


measurements in mm

Z detail



Hinge cup hole
min. 12 deep

measurements in mm

A

818⁺¹²

202

338.6

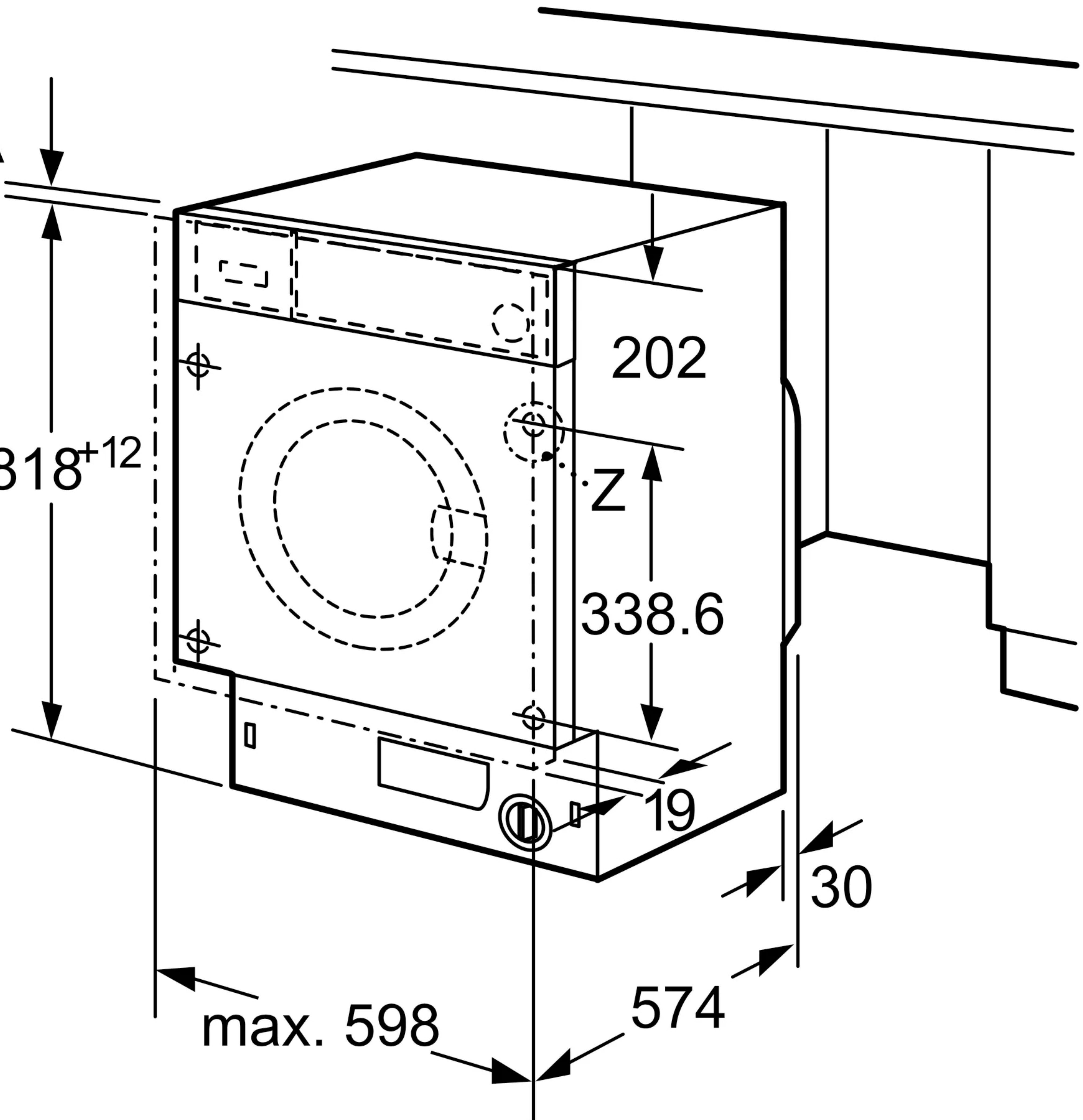
19

30

max. 598

574

measurements in mm



574 incl. hinge
and kitchen
unit door

555 incl.
hinge

544

107

11

19

15

153

15⁺¹²

818⁺¹²

60

measurements in mm

