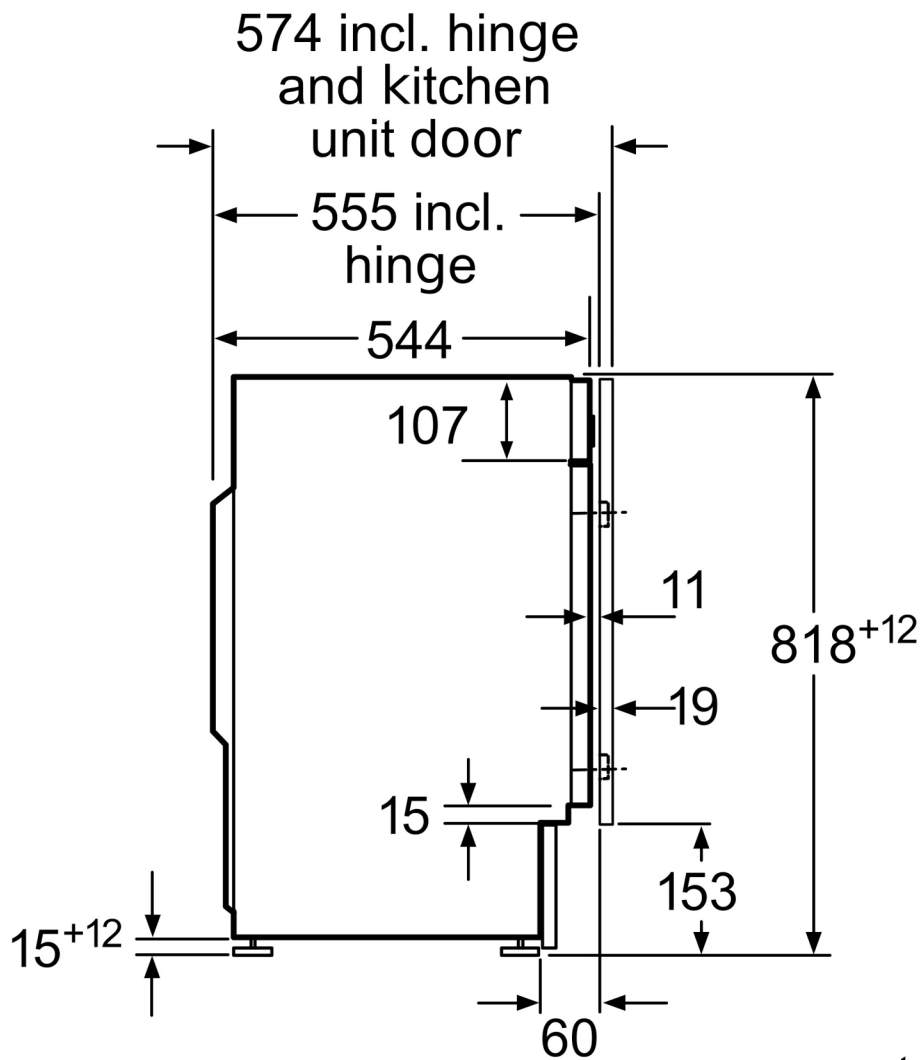
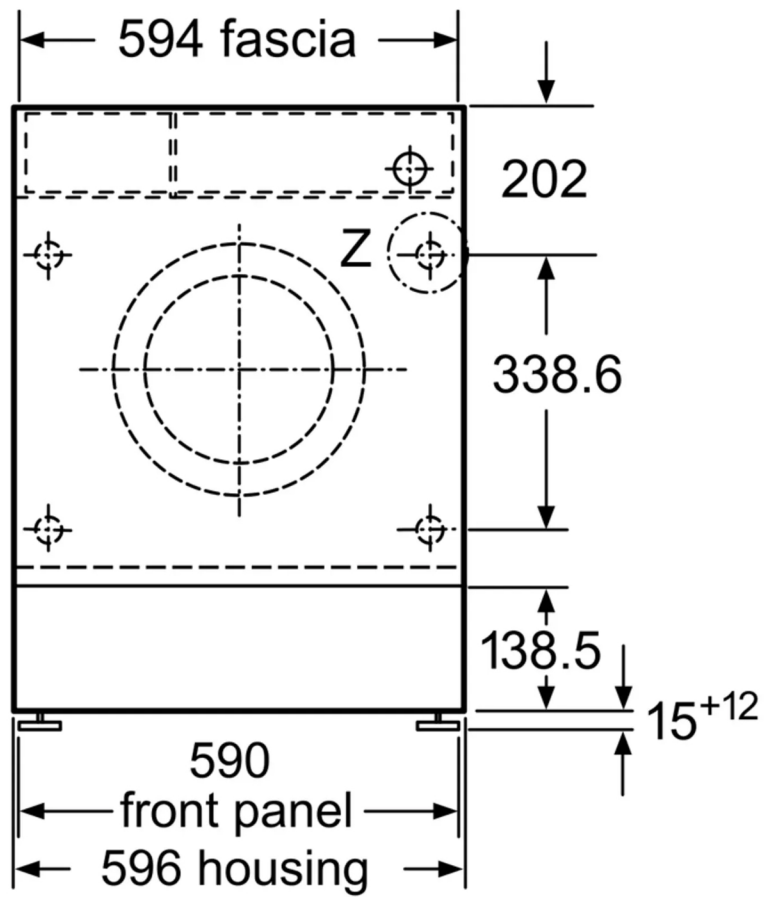


measurements in mm

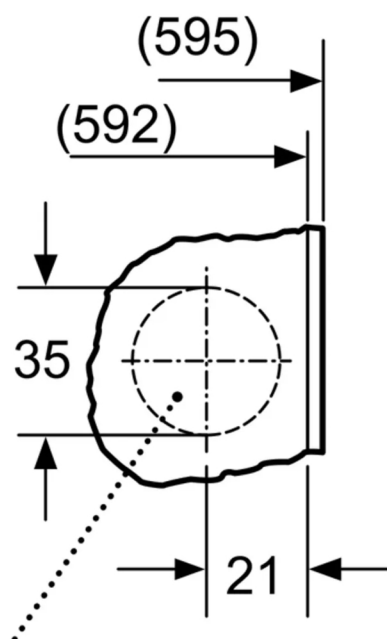


measurements in mm



measurements in mm

Z detail



Hinge cup hole  
min. 12 deep

measurements in mm