

Integrated CoolDrawer™ Multi-temperature Drawer

Series 9 | Integrated

Panel Ready

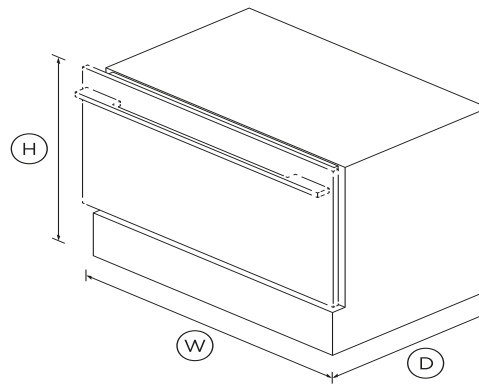


Use your CoolDrawer™ as a fridge, pantry or freezer with the push of a button. Customise with cabinetry or a stainless steel panel.

- Variable Temperature Zone lets you change between five different food modes - fridge, freezer, pantry, chill and wine
- Customise with your own kitchen cabinetry or purchase our stainless steel door panel accessory

DIMENSIONS

Height	640mm
Width	855mm
Depth	557mm



FEATURES & BENEFITS

FRIDGE

The ideal storage for most foods such as fruit, vegetables, dairy products and drinks. The compact upper storage tray is a perfect place for sensitive foods while the tall bin is ideal for large bottles and containers.

PANTRY

Designed for foods that require a cool, dark place for storage, such as tropical fruits, tomatoes and cereals.

FREEZER

Ideal for general frozen food storage with the added flexibility of three freezer functions - bottle chill, fast freeze and deep freeze. Freezer mode is set at -18°C for longer term storage of frozen items.

WINE

Wine Mode is ideal for long term storage of all wine at 12°C, or short term storage at 7°C for white wine and 15°C for red wine.

CHILL

Chill Mode sets the compartment to a temperature ideal for highly perishable meats, poultry and seafood. Chill Mode sets the compartment at -0.5°C, just above the freezing temperature for meat.

SPECIFICATIONS

Accessories

Contemporary round handle	AHS-RB90S
Contemporary square handle	AHD3RB90S
Square fine aluminium handle	AHD5RD90S
Square fine black handle kit	AHD5RD90SB

Capacity

Total net volume	104L
Volume	80L

Consumption

Energy consumption	88kWh/year (refrigerator)
Energy rating	F

Features

Door alarm	•
------------	----------

Full extension runners	•
LED lighting	•
SmartTouch control panel	•
Spill proof removable bins	•
Variable temperature control	•

**A PEACE OF MIND SALE****24 Hours 7 Days a Week Customer Support****T 08000 886 605 W www.fisherpaykel.com****Performance**

ActiveSmart™ Foodcare	•
Noise emissions	39dBA
Noise emissions class	C
Quiet mark certified	•

Product dimensions

Depth	557mm
Height	640mm
Width	855mm

Warranty

Parts and labour	5 years
Sealed system parts only	5 years

SKU	26060
-----	-------

The product dimensions and specifications in this page apply to the specific product and model. Under our policy of continuous improvement, these dimensions and specifications may change at any time. You should therefore check with Fisher & Paykel's Customer Care Centre to ensure this page correctly describes the model currently available. © Fisher & Paykel Appliances Ltd 2020