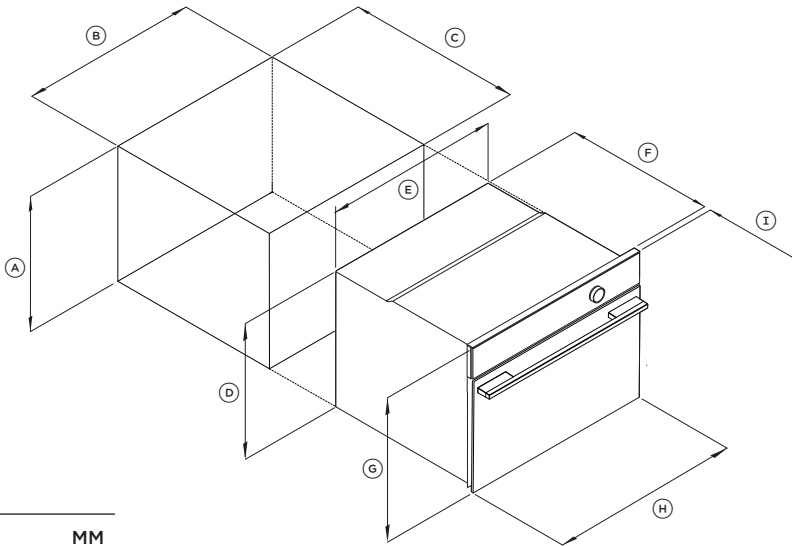


ACCESSING YOUR PRODUCT SPECIFICATIONS



For full product, cabinetry and service specifications, refer to the Planning Guide. To access the Planning Guide, scan the QR code or visit fisherpaykel.com/specify. Search by appliance type, product name or model code.



MM

(A) min. 440

(B) min. 560

(C) min. 550

(D) 435

(E) 556

(F) 545

(G) 458

(H) 596

(I) 20