

FNS 7710 E  
 Built-in freezer  
 with NoFrost and 8 freezer drawers for max. convenience.



- No icing up of food and no need to defrost thanks to NoFrost
- Food is frozen quickly and gently – SuperFreeze
- Flexible increase in freezer volume – VarioRoom



EAN: 4002516797517 / Material number: 12565320 / Old Material Number: 37771000GB

|  |             |
|--|-------------|
| <b>Appliance category</b>                                      |             |
| Freezer  | •           |
| <b>Construction type</b>                                       |             |
| Built-in appliance   | •           |
| Integrated appliance   | •           |
| Door hinge   | Left        |
| Convertible door hinging                                       | •           |
| Side-by-side enabled   | •           |
| <b>User convenience</b>  |             |
| Networking with Miele@home                                     | •           |
| NoFrost  | •           |
| VarioRoom  | •           |
| <b>Control system</b>  |             |
| Operating concept  | SensorTouch |
| Independent temperature regulation of fridge and freezer zones | No          |
| SuperFreeze  | •           |
| No. of temperature zones                                       | 1           |
| Sabbath mode   | •           |
| Party mode   | •           |
| <b>Freezer/Freezer section</b>                                 |             |
| Number of freezer drawers                                      | 8           |
| <b>Efficiency and sustainability</b>                           |             |
| Energy efficiency class (A–G)                                  | E           |
| Annual energy consumption in kWh                               | 237.25      |
| Energy consumption in 24 h in kWh                              | 0.64        |
| <b>Safety</b>  |             |
| Lock function  | •           |
| Acoustic door alarm  | •           |
| Acoustic temperature alarm                                     | •           |
| Optical temperature alarm                                      | •           |
| Power cut indication for freezer section                       | •           |
| <b>Technical data</b>  |             |
| Niche width in mm min.   | 560         |
| Niche width in mm max.   | 570         |
| Niche height in mm min.  | 1772        |
| Niche height in mm max.  | 1788        |
| Niche depth in mm  | 550         |
| Appliance width in mm  | 559         |
| Appliance height in mm   | 1770        |
| Appliance depth in mm  | 546         |
| Weight in kg   | 58.5        |
| Door hinge technology  | Fixed door  |
| Max. door front weight – refrigerator, in kg                   | 26          |
| Climate class  | SN-T        |
| 4* freezer compartment in l                                    | 213         |
| Total usable capacity in l                                     | 213         |
| Storage time in case of fault in h                             | 9           |
| Freezer capacity in kg/24 h                                    | 12.00       |
| Acoustic airborne noise emission class (A–D)                   | B           |

FNS 7710 E

Built-in freezer

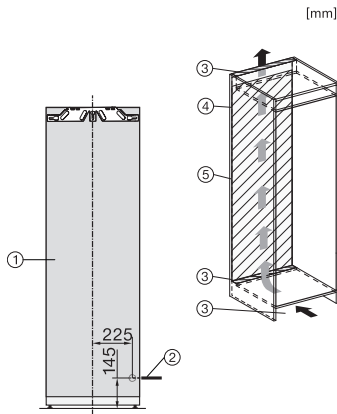
with NoFrost and 8 freezer drawers for max. convenience.



EAN: 4002516797517 / Material number: 12565320 / Old Material Number: 37771000GB

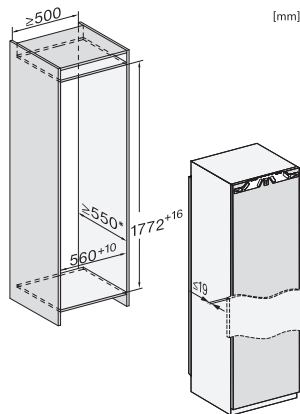
|                                  |         |
|----------------------------------|---------|
| Sound emissions in dB(A) re 1 pW | 33      |
| Current consumption (mA)         | 1300    |
| Voltage in V                     | 220-240 |
| Fuse rating in A                 | 10      |
| Number of phases                 | 1       |
| Frequency in Hz                  | 50-60   |
| Length of supply lead in m       | 2.2     |
| Replacing lamps                  | Service |
| <b>Accessories included</b>      |         |
| Ice cube tray                    | •       |

FNS 7710 E  
 Built-in freezer  
 with NoFrost and 8 freezer drawers for max. convenience.



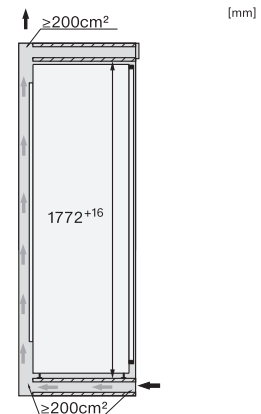
K7733E, K7763E, K7732E, K7734F, K7764E, K7743E, K7744E, K7773D, K7774D (footnote\*) (installation drawings)

\*1. View from the front, 2. Mains connection cable, L = 2100 mm, 3. Ventilation cut-out min. 200 cm<sup>2</sup>, 4. Ventilation, 5. No connections permitted in this area



K7733E, K7763E, K7732D, K7732E, K7734F, K7764E, K7743E, K7744E, K7773D, K7774D, built-in (footnote\*) (drawings)

\*The declared energy consumption was calculated in a 560 mm deep niche. The appliance is fully functional in a 550 mm niche but the energy consumption will be slightly higher.



K7733E, K7763E, K7732E, K7734F, K7764E, K7743E, K7744E, K7773D, K7774D, side view (installation drawings)