



Make even the most complex meals simple to prepare

This large-capacity oven is specially designed to cook several different dishes at once, taking all the stress out of preparing a meal.

This large-capacity oven is specially designed to cook several different dishes at once, taking all the stress out of preparing a meal.

Product Benefits & Features

Gives you some of the quickest results possible

The ceramic cooking zones on this hob heat far more rapidly than solid hot plates, enabling you to boil water and cook meals even faster.

- Hot hob indicator
- Thermaflow® fan oven
- Top cavity features:
- Main oven features:
- Top heat
- Cooker features:
- Easy clean enamel oven interior
- Interior light in main oven
- Triple glazed doors
- Top oven: A energy rating

Get twice the cooking capacity with two oven cavities

Let's face it – in the kitchen, you don't always have the luxury of being able to do things one at a time. Luckily, with two oven cavities, you can easily bake and grill simultaneously – getting your meal onto the table much faster.

Everything evenly cooked

Get evenly-cooked meals every time with Zanussi. The built-in fan distributes air around the oven cavity for precise coverage. Everything emerges as it should. No more partly-cooked or overdone bits. Just great food that's always ready for the table.

See exactly how oven dishes are doing with just a glance!

The large glass windows in this cooker's ovens let you see at a glance whether your dish is as brown and crispy as it should be.

Added capacity for every occasion

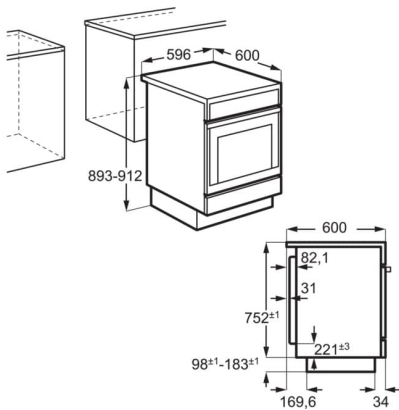
For those occasions when you need to cook for visiting family or friends, this larger baking tray matches your larger oven. It's 25% larger than the standard size.

Product Specification

Dimensions	894-912x600x600
Voltage (V)	240
Total electricity loading, W	11000
Required Fuse	30
Cavity Size (L)	77
Cavity Size, Second Cavity (L)	39
Largest Surface area	1330
Colour	Stainless steel
Self-Cleaning?	Black Enamel
Cleaning Bottom Oven	Black Enamel
Power Management	No
Energy class	A
Energy efficiency class	A
Energy consumption, conventional mode, kWh per cycle	0
Energy consumption, hot air, kWh/cycle	0.83
Energy consumption per EU standard cycle	0.75
Energy consumption, fan forced, kWh/cycle	0
Right front - Power/Diameter	1200W/145mm
Right rear - Power/Diameter	1700W/180mm
Dial	1700W/180mm
Rear - Power/Diameter	1200W/145mm

Tray types included	1 Dripping pan black enamel
Type of Trays - Bottom Oven	No
Grids	2 Flat shelf chromed wirework
Grids type - Bottom Oven	1 Flat shelf chromed wirework, 1 Grill pan grid chromed wirework
Runners	Grid Runners
Runners - Bottom Oven	Grid Runners
Gas supply: natural gas	No
Gas replacement	No
Gas replacement	No

PSGBCO190DE00003



PSGBCO190DE00008

