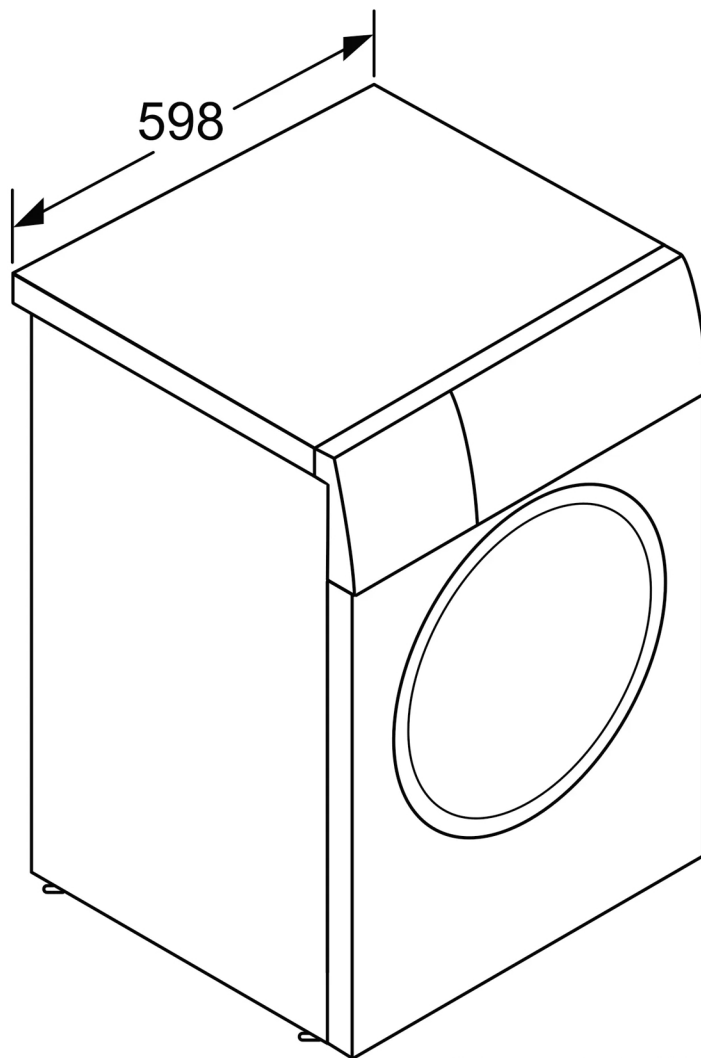


measurements in mm



measurements in mm