

**Series 4, Built-under double oven,
Stainless steel
NBS533BS0B**



A

The built-in double compact oven with 3D hot air: achieve perfect baking and roasting results on multiple levels simultaneously.

- **Red LED display control:** easy-to-use thanks to the time functions.
- **Pop-out controls:** Make the front of the oven easy to clean and give it a sleek look.
- **EcoClean Direct:** less cleaning effort thanks to a special coating which covers the rear wall of the lower oven.
- **2 universal pans, slim size:** optimized for smaller amounts of different dishes.

Technical Data

Color / Material Front : Stainless steel
 Construction type : Built-in
 Integrated Cleaning system : No
 Dimensions : 717 x 594 x 550 mm
 Dimensions of the packed product (HxWxD) : 790 x 695 x 660 mm
 Control Panel Material : Stainless steel
 Door Material : Glass
 Net weight : 47.6 kg
 Usable volume of cavity : 47 l
 Cooking method : Conventional heat, Full width grill, Hot Air, Hotair gentle, Hot air grilling
 Oven control : mechanical
 Number of interior lights : 1
 EAN code : 4242005034628
 Energy efficiency rating : A
 Energy consumption per cycle conventional (2010/30/EC) : 0.84 kWh/cycle
 Energy consumption per cycle forced air convection (2010/30/EC) : 0.71 kWh/cycle
 Energy efficiency class (2010/30/EC) - cavity 2 : B
 Energy consumption per cycle conventional - cavity 2 (2010/30/EC) : 0.83 kWh/cycle
 Energy efficiency index (2010/30/EC) : 94.7 %
 Energy efficiency index cavity 2 (2010/30/EC) : 120.3 %
 Connection rating : 5300 W
 Fuse protection : 25 A
 Voltage : 220-240 V
 Frequency : 50 Hz
 Plug type : fixed connection, no plug (electrical connection by electrician)
 Included accessories : 2 x combination grid, 1 x universal pan, 2 x Universal pan, slim size

Included accessories

2 x combination grid
 1 x universal pan
 2 x Universal pan
 slim size

Optional accessories

HEZ530000 : Half tray
 HEZ531000 : Baking tray, grey enamelled
 HEZ531010 : Baking tray, non-stick ceramic coated
 HEZ538000 : 1fold telescopic rail, level independent
 HEZ634000 : Baking and roasting grid (standard)
 HEZ636000 : Glass pan
 HEZ915003 : Glass roasting dish, 5,4 L



Series 4, Built-under double oven, Stainless steel NBS533BS0B

The built-in double compact oven with 3D hot air: achieve perfect baking and roasting results on multiple levels simultaneously.

Design

- LED-Display Control (Red)
- Interior halogen light
- Rotary dial, Retractable control dials, round

Features

- Control panel lock
- Electronic clock timer
- Automatic start
Heating-up indicator

Top oven additional features

- Cavity volume: 34 litre capacity
- Full glass inner door
- Cavity (inner surface) top: Enamel grey
- Door hinge small cavity: Drop down oven door
- 3 shelf positions

Main oven additional features

- Cavity volume: 47 litre capacity
- EcoClean Direct : back panel
- Full glass inner door
- Door hinge big cavity: Drop down door

Top oven

- Oven with 3 heating methods: conventional top/bottom heat, Large-area grill, Small area grill
- Temperature range 50 °C - 275 °C

Main oven

- Oven with 5 heating methods: 3D Hotair, conventional top and bottom heat, Hotair grilling, full width variable grill, Hotair gentle
- Temperature range 50 °C - 275 °C
- Fast pre-heating function

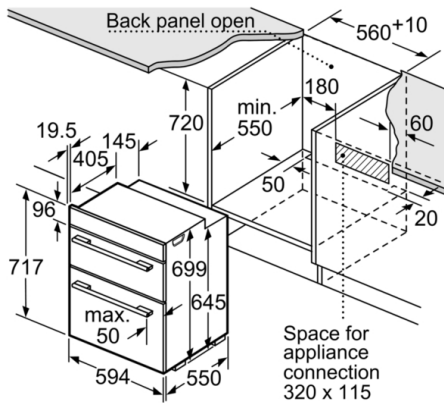
Accessories

- 2 x combination grid, 1 x universal pan, 2 x Universal pan, slim size

Performance/technical information

- Energy efficiency rating (acc. EU Nr. 65/2014): B(at a range of energy efficiency classes from A+++ to D)
Energy consumption per cycle in conventional mode:0.83 kWh
Number of cavities: Top Cavity Heat source: electrical
- Energy efficiency rating (acc. EU Nr. 65/2014): B(at a range of energy efficiency classes from A+++ to D)
Energy consumption per cycle in conventional mode:0.83 kWh
Energy consumption per cycle in fan-forced convection mode:0.71 kWh
Number of cavities: Main Cavity Heat source: electrical
- Total connected load electric: 5.3 KW
- Nominal voltage: 220 - 240 V
- Appliance dimension (hxwxd): 717 mm x 594 mm x 550 mm
- Niche dimension (hxwxd): 720 mm - 720 mm x 560 mm - 568 mm x 550 mm
- Please refer to the dimensions provided in the installation manual

Series 4, Built-under double oven, Stainless steel NBS533BS0B



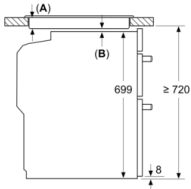
measurements in mm

measurements in mm

If the appliance will be installed underneath a hob, the following worktop thicknesses (including substructure if necessary) must be taken into account.

Hob type	min. worktop thickness	
	fitted	flush
Induction hob	39	40
Full-surface induction hob	49	50
Gas hob	29	40
Electric hob	29	32

measurements in mm
Installation with a hob



A: Recessed depth 29-50 mm.
See hob dimensional drawing.
B: Min. distance:
Induction hob: 5 mm
Gas hob: 5 mm
Electric hob: 2 mm

measurements in mm

