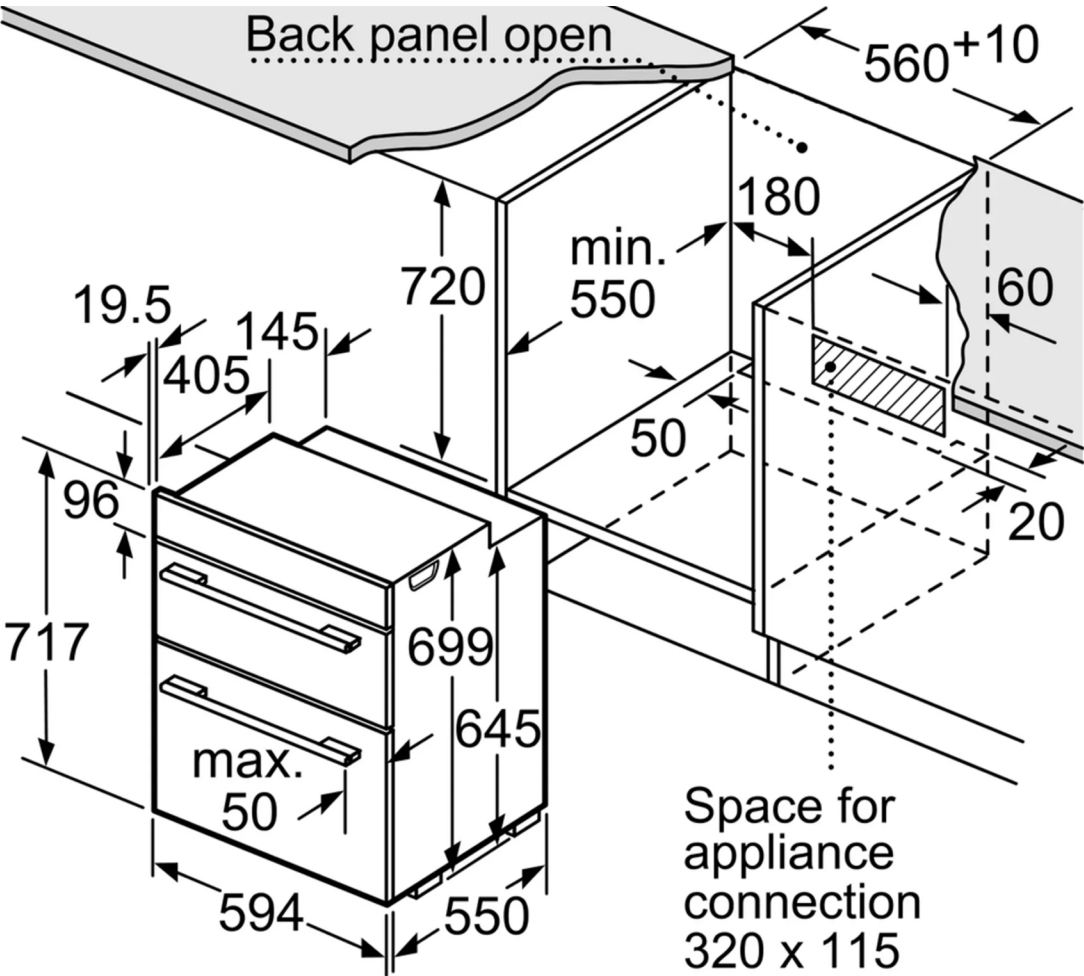
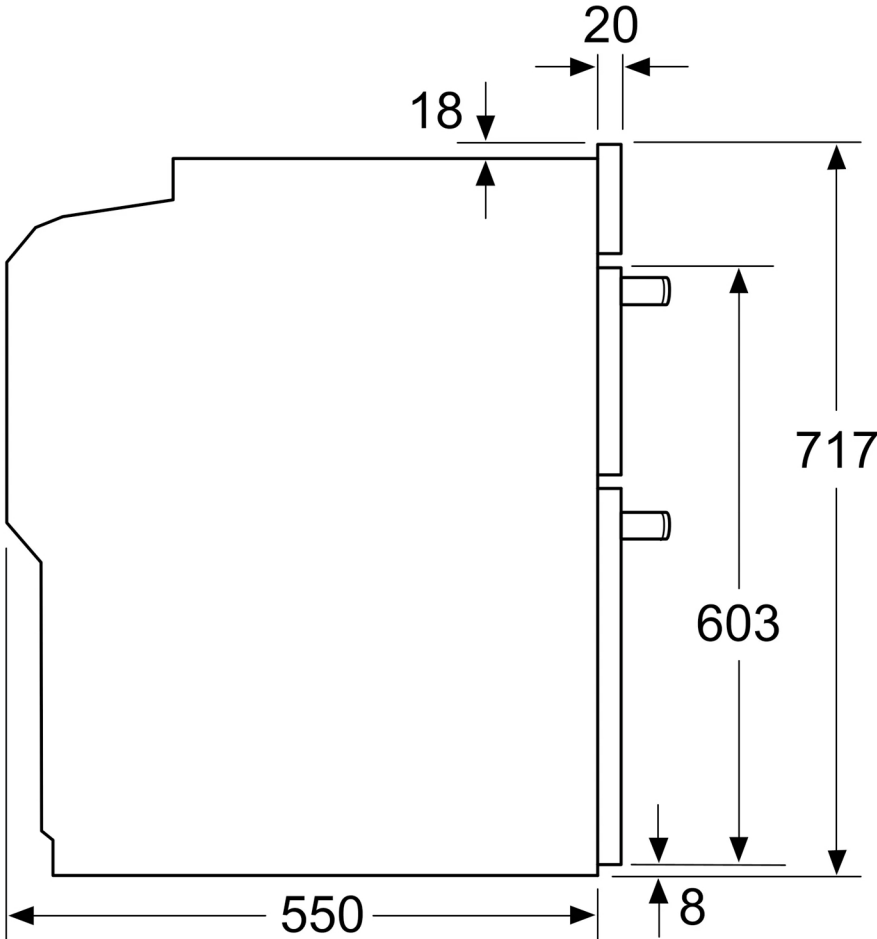
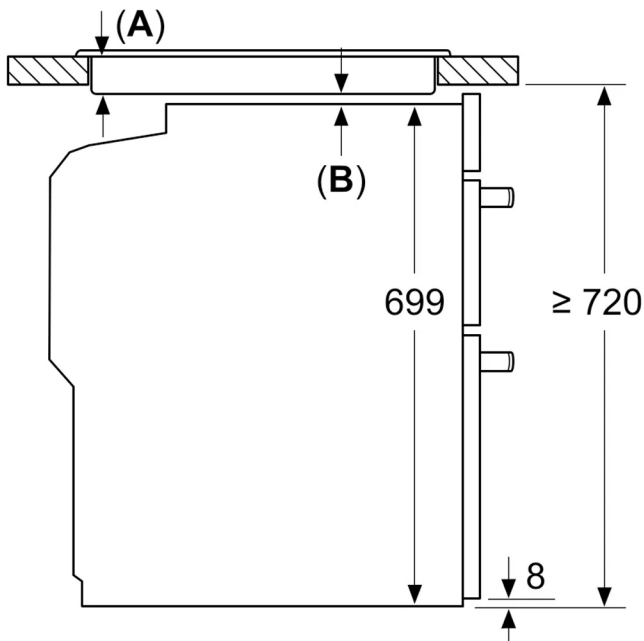


measurements in mm



measurements in mm

measurements in mm  
Installation with a hob



- A:** Recessed depth 29-50 mm.  
See hob dimensional drawing.
- B:** Min. distance:  
Induction hob: 5 mm  
Gas hob: 5 mm  
Electric hob: 2 mm

measurements in mm

If the appliance will be installed underneath a hob, the following worktop thicknesses (including substructure if necessary) must be taken into account.

Hob type	min. worktop thickness	
	fitted	flush
Induction hob	39	40
Full-surface induction hob	49	50
Gas hob	29	40
Electric hob	29	32