

**Series 4, Built-under double oven,  
Black  
NBS533BB0B**



**Included accessories**

2 x combination grid  
1 x universal pan  
2 x Universal pan  
slim size

**Optional accessories**

HEZ530000 : Half tray  
HEZ531000 : Baking tray, grey enamelled  
HEZ531010 : Baking tray, non-stick ceramic coated  
HEZ538000 : 1fold telescopic rail, level independent  
HEZ634000 : Baking and roasting grid (standard)  
HEZ636000 : Glass pan  
HEZ915003 : Glass roasting dish, 5,4 L

**The built-in double compact oven with 3D hot air: achieve perfect baking and roasting results on multiple levels simultaneously.**



- **Red LED display control:** easy-to-use thanks to the time functions.
- **Pop-out controls:** Make the front of the oven easy to clean and give it a sleek look.
- **EcoClean Direct:** less cleaning effort thanks to a special coating which covers the rear wall of the lower oven.
- **2 universal pans, slim size:** optimized for smaller amounts of different dishes.

**Technical Data**

Color / Material Front : Black  
Construction type : Built-in  
Integrated Cleaning system : No  
Dimensions : 717 x 594 x 550 mm  
Dimensions of the packed product (HxWxD) : 790 x 690 x 660 mm  
Control Panel Material : Glass  
Door Material : Glass  
Net weight : 47.8 kg  
Usable volume of cavity : 47 l  
Cooking method : Conventional heat, Full width grill, Hot Air, Hotair gentle, Hot air grilling  
Oven control : mechanical  
Number of interior lights : 1  
EAN code : 4242005034611  
Energy efficiency rating : A  
Energy consumption per cycle conventional (2010/30/EC) : 0.84 kWh/cycle  
Energy consumption per cycle forced air convection (2010/30/EC) : 0.71 kWh/cycle  
Energy efficiency class (2010/30/EC) - cavity 2 : B  
Energy consumption per cycle conventional - cavity 2 (2010/30/EC) : 0.83 kWh/cycle  
Energy efficiency index (2010/30/EC) : 94.7 %  
Energy efficiency index cavity 2 (2010/30/EC) : 120.3 %  
Connection rating : 5300 W  
Fuse protection : 25 A  
Voltage : 220-240 V  
Frequency : 50 Hz  
Plug type : fixed connection, no plug (electrical connection by electrician)  
Included accessories : 2 x combination grid, 1 x universal pan, 2 x Universal pan, slim size



4 242005 034611

## Series 4, Built-under double oven, Black NBS533BB0B

**The built-in double compact oven with 3D hot air: achieve perfect baking and roasting results on multiple levels simultaneously.**

### Design

- LED-Display Control (Red)
- Rotary dial, Retractable control dials, round
- Straight bar handle
- Interior halogen light

### Features

- Control panel lock
- Electronic clock timer
- Automatic start  
Heating-up indicator

### Top oven additional features

- Cavity volume: 34 litre capacity
- Full glass inner door
- 3 shelf positions
- Cavity (inner surface) top: Enamel grey
- Door hinge small cavity: Drop down oven door

### Top oven

- Oven with 3 heating methods: conventional top/bottom heat, Large-area grill, Small area grill
- Temperature range 50 °C - 275 °C

### Main oven additional features

- Cavity volume: 47 litre capacity
- EcoClean Direct : back panel
- Full glass inner door
- Door hinge big cavity: Drop down door

### Main oven

- Oven with 5 heating methods: 3D Hotair, conventional top and bottom heat, Hotair grilling, full width variable grill, Hotair gentle
- Temperature range 50 °C - 275 °C
- Fast pre-heating function

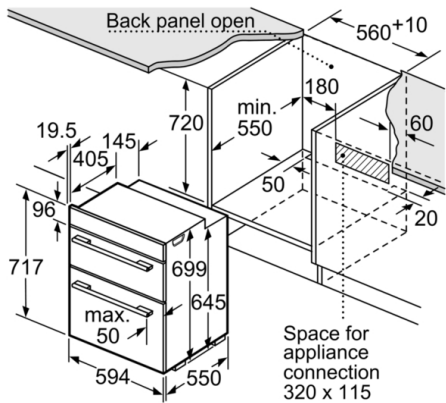
### Accessories

- 2 x combination grid, 1 x universal pan, 2 x Universal pan, slim size

### Performance/technical information

- Energy efficiency rating (acc. EU Nr. 65/2014): B(at a range of energy efficiency classes from A+++ to D)  
Energy consumption per cycle in conventional mode:0.83 kWh  
Number of cavities: Top Cavity Heat source: electrical
- Energy efficiency rating (acc. EU Nr. 65/2014): B(at a range of energy efficiency classes from A+++ to D)  
Energy consumption per cycle in conventional mode:0.83 kWh  
Energy consumption per cycle in fan-forced convection mode:0.71 kWh  
Number of cavities: Main Cavity Heat source: electrical
- Total connected load electric: 5.3 KW
- Nominal voltage: 220 - 240 V
- Niche dimension (hxwx): 720 mm - 720 mm x 560 mm - 568 mm x 550 mm
- Appliance dimension (hxwx): 717 mm x 594 mm x 550 mm
- Please refer to the dimensions provided in the installation manual

## Series 4, Built-under double oven, Black NBS533BB0B



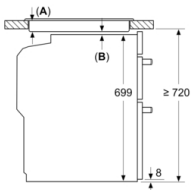
measurements in mm

measurements in mm

If the appliance will be installed underneath a hob, the following worktop thicknesses (including substructure if necessary) must be taken into account.

Hob type	min. worktop thickness	
	fitted	flush
Induction hob	39	40
Full-surface induction hob	49	50
Gas hob	29	40
Electric hob	29	32

measurements in mm  
Installation with a hob



A: Recessed depth 29-50 mm.  
See hob dimensional drawing.  
B: Min. distance:  
Induction hob: 5 mm  
Gas hob: 5 mm  
Electric hob: 2 mm

measurements in mm

