



Add steam for crispier baking

In addition to all your standard oven functions, the PlusSteam feature in this SteamBake cooker adds steam at the beginning of the baking process. The steam cooking keeps the dough moist on the surface to create a golden color and tasty crust, while the heart stays soft and tender. In addition to baking crispy and tasty breads,

In addition to all your standard oven functions, the PlusSteam feature in this SteamBake cooker adds steam at the beginning of the baking process. The steam cooking keeps the dough moist on the surface to create a golden color and tasty crust, while the heart stays soft and tender. In addition to baking crispy and tasty breads,

Product Benefits & Features

An adaptable, quick-to-clean, ceramic hob

With its multi-cookware zone, designed for a wide range of pots and pans, this ceramic hob is up to every task – and the durable glass surface wipes clean in an instant.



Intelligent technology that makes cleaning more efficient

This oven's Cataluxe® cleaning system uses cutting-edge technology to deliver efficient results. Its catalytic lining absorbs the grease and cooking residue when heated to 230°C, making it easy to simply wipe away keeping your cooker perfectly clean.



- Heat activated catalytic cleaning
- Auto-stop anti-tip chrome shelves
- Hob features:
- Ceramic Hob
- Residual heat indicators
- Top oven features include:
- Main oven features include:
- Conventional cooking
- Dual circuit variable grill
- Grill
- Cooling fan
- Isofront® plus triple glazed door
- Main oven energy class: A
- Top oven energy class: A

An at-a-glance overview of the status of your dish

The timer display provides an at-a-glance overview of the status of your dish. Its clear screen enables you to set an alarm, check directly on the time remaining before your dish is ready and to adjust the timer with accuracy and precision.

Consistent results on both levels in your oven

With a fan and a heating element working efficiently together, the temperature within the oven is completely consistent on both levels.

Perfectly bake even the largest batches

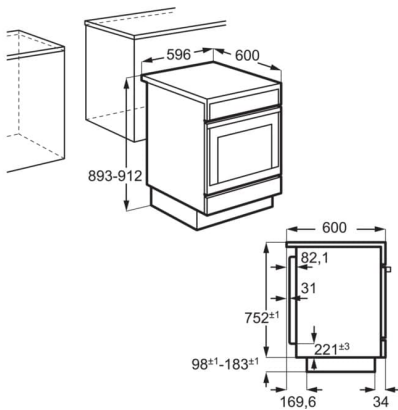
The XL Baking Tray is larger than standard-sized baking trays, enabling you to turn out larger batches of sweet treats, with the satisfaction that every single one has been perfectly baked.

Product Specification

Dimensions	894-912x600x600
Voltage (V)	240
Total electricity loading, W	12100
Required Fuse	30
Cavity Size (L)	73
Cavity Size, Second Cavity (L)	39
Largest Surface area	1330
Colour	Stainless steel
Cleaning	Catalytic
Cleaning Bottom Oven	Catalytic
Power Management	No
Energy class	A
Energy efficiency class	A
Energy consumption, conventional mode, kWh per cycle	0.95
Energy consumption, hot air, kWh/cycle	0.82
Energy consumption per EU standard cycle	0.75
Energy consumption, fan forced, kWh/cycle	0
Right front - Power/Diameter	1200W/145mm
Right rear - Power/Diameter	1800W/180mm
Left Front - Power/Diameter	1000/2200W/140/210mm
Rear - Power/Diameter	1200W/145mm

Tray types included	1 Dripping pan black enamel
Type of Trays - Bottom Oven	No
Grids	2 Flat shelf chromed wirework
Top oven number of shelves	1 Flat shelf chromed wirework, 1 Grill pan grid chromed wirework
Runners	Grid Runners with Stop
Runners - Bottom Oven	Grid Runners with Stop
Gas supply: natural gas	No
Gas replacement	No
Gas replacement	No

PSGBCO190DE00003



PSGBCO190DE00008

