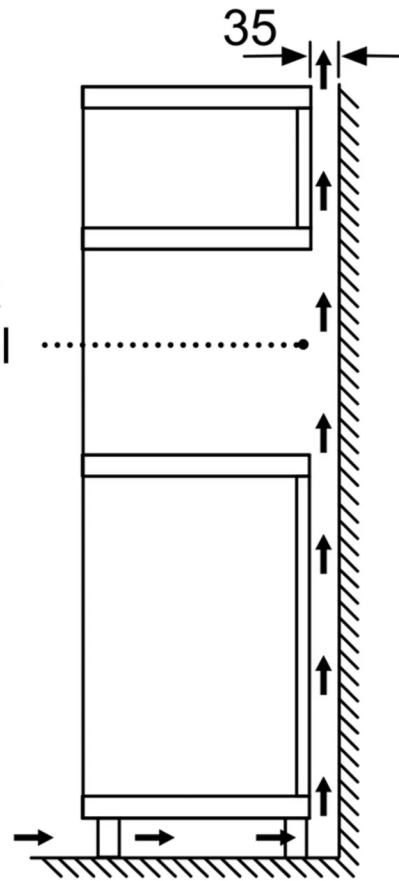
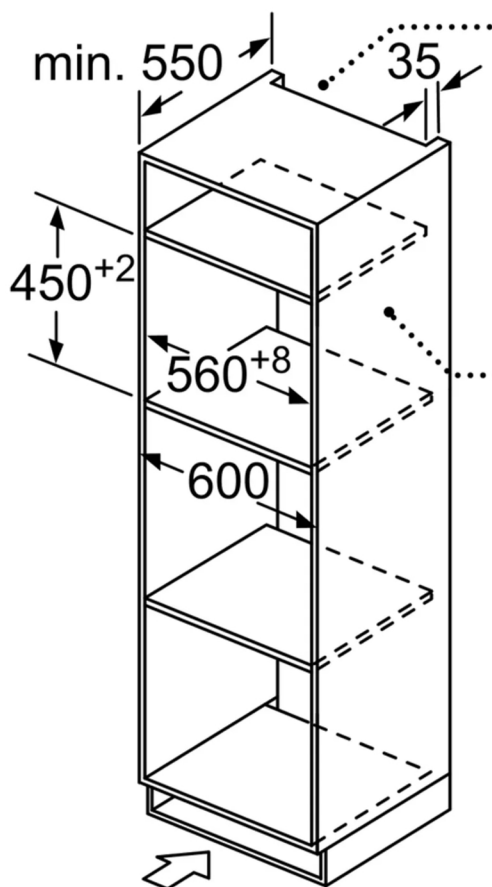


Back panel open



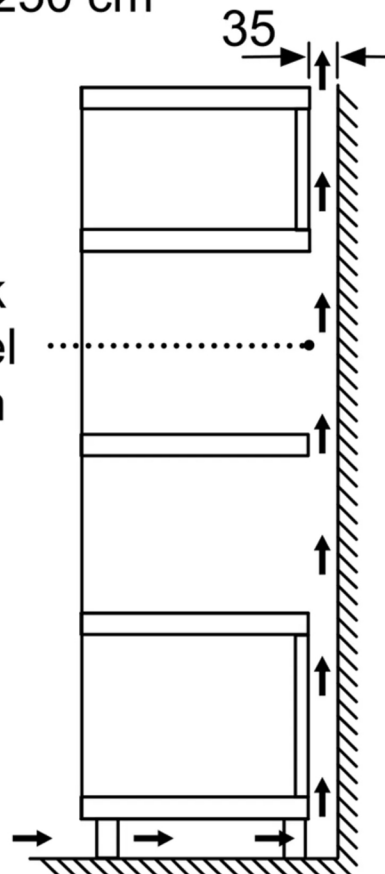
Ventilation space in the base min. 50 cm²

measurements in mm



Ventilation opening min. 250 cm²

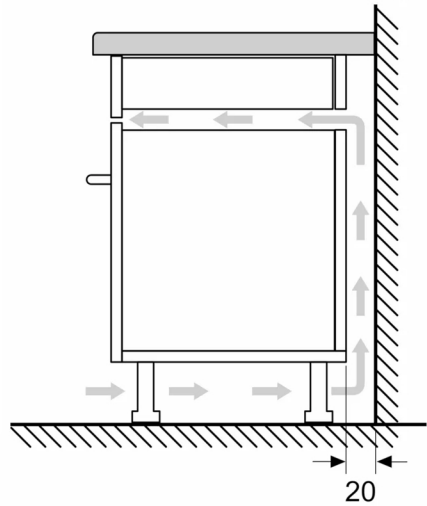
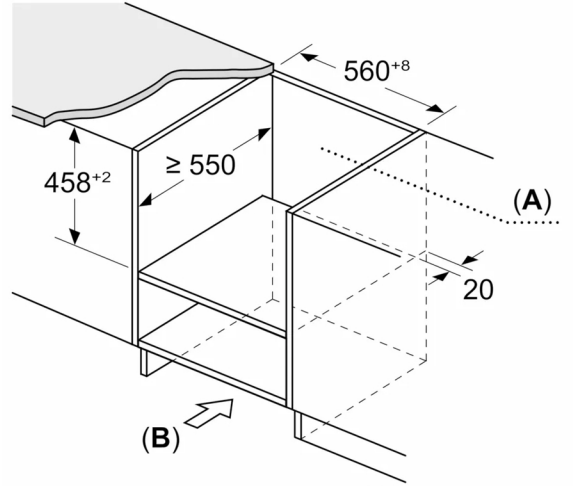
Back panel open



Ventilation space in the base min. 50 cm²

measurements in mm

Measurements in mm



A: Back wall open

B: Ventilation space in the plinth $\geq 50 \text{ cm}^2$

Measurements in mm

